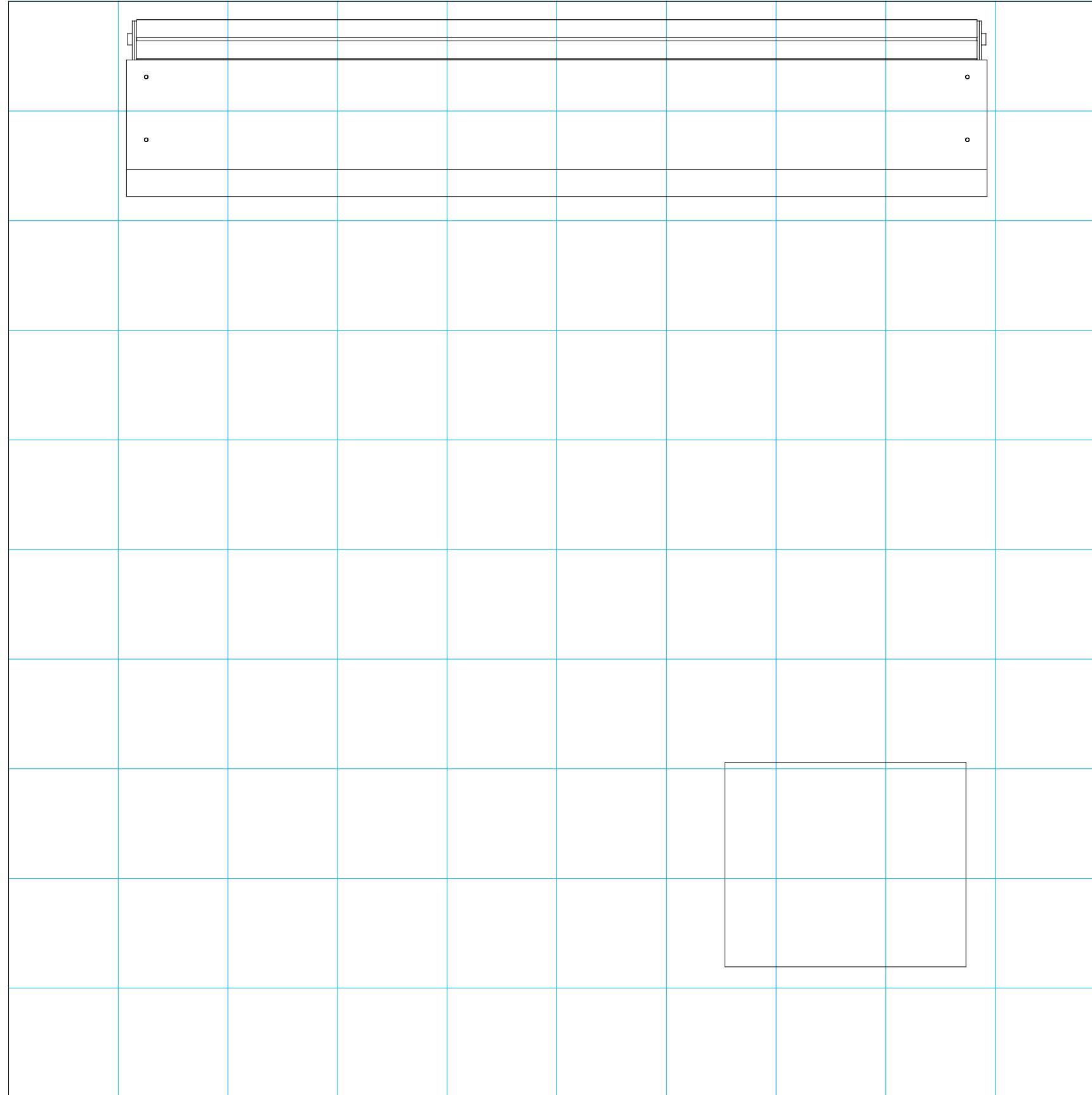


***SETUP INSTRUCTIONS***



= 1 sq foot

## General Setup Instructions

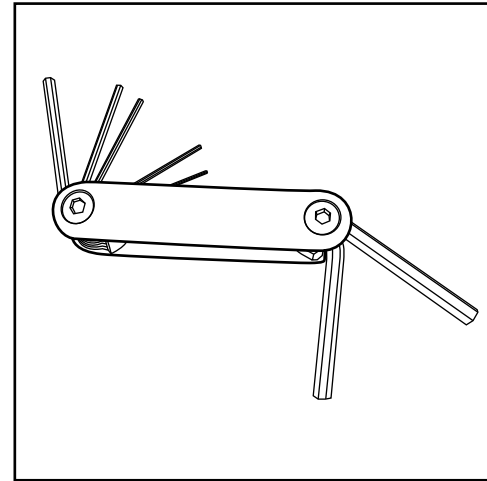
- Read entire setup instruction manual prior to unpacking parts and pieces.
- The setup instructions are created specifically for this configuration.
- Setup instructions are laid out sequentially in steps, including exploded views with detailed explanation for assembly.

## Cleaning & Packing

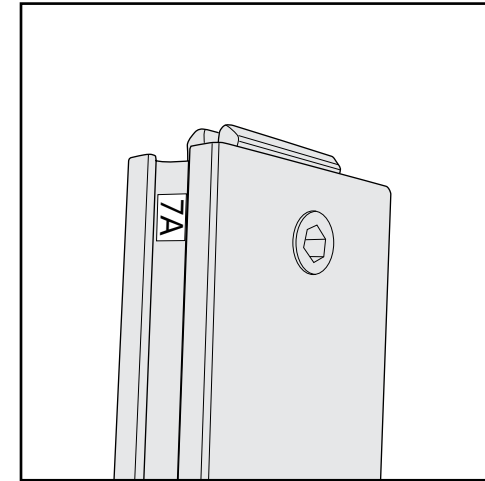
- For Cleaning Metal, Plex, & Laminate Parts: Use a **MILD NON-ABRASIVE** cleanser and soft cloth/paper towel to clean all surfaces.
- Keep exhibit components away from heat and prolonged sun exposure. **Heat and UV exposure will warp and fade components.**
- Retain all provided Packing Materials. All provided packing materials are for ease of repacking & component protection.

## Disassembly

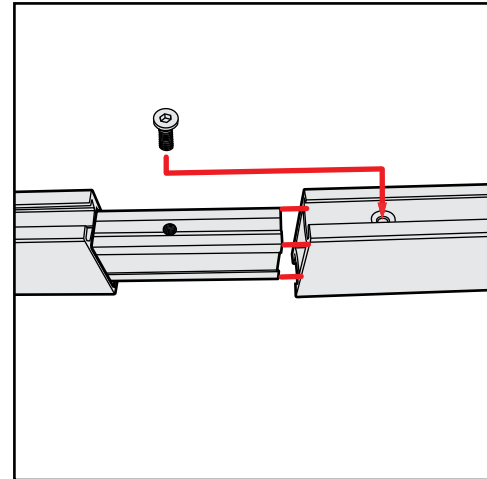
- For loss prevention, tighten all set screws and locks during disassembly.



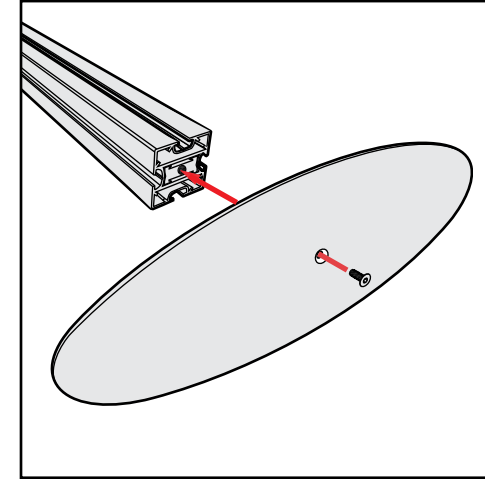
Hex Tool - Essential for Assembly



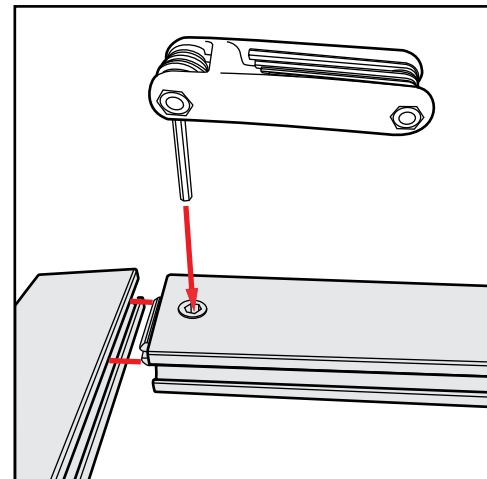
Part Identification - Numbering



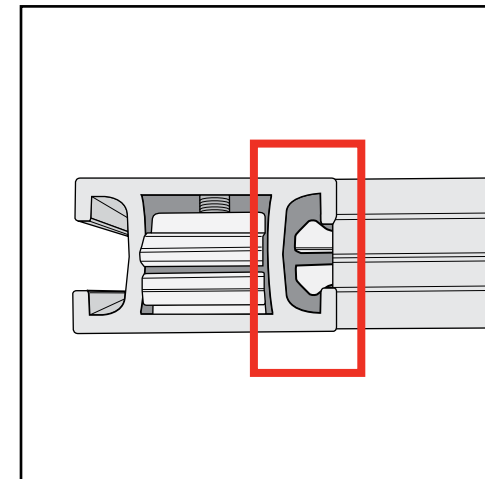
Spline Connection



Base Plate & Extrusion Connection



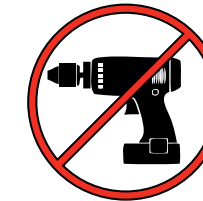
Extrusion & Lock Connection



Engaged Lock



**WARNING**



DO NOT USE POWER TOOLS



LADDERS OR LIFTS  
MAY BE REQUIRED



ALL CONNECTIONS MUST  
BE TIGHTLY SECURED

# euro lt | HYBRIDS

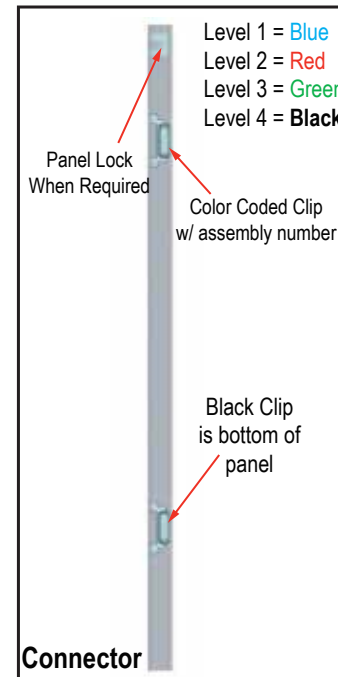
## Using Your Setup Instructions

The Euro LT Hybrids Setup Instructions are created specifically for your configuration. They are laid out sequentially in levels, including exploded views, and a logical series of detailed steps to assemble the main structure and components. We encourage you to study the instructions **before** attempting to assemble your exhibit.

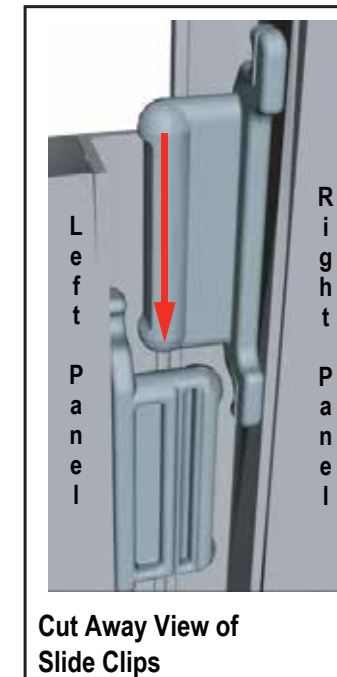
Each page reminds you to tighten the setscrews after disassembling your exhibit to prevent loss of the locks and setscrews (see below in RED). This is VERY IMPORTANT.

## Cleaning and Packing Your Display

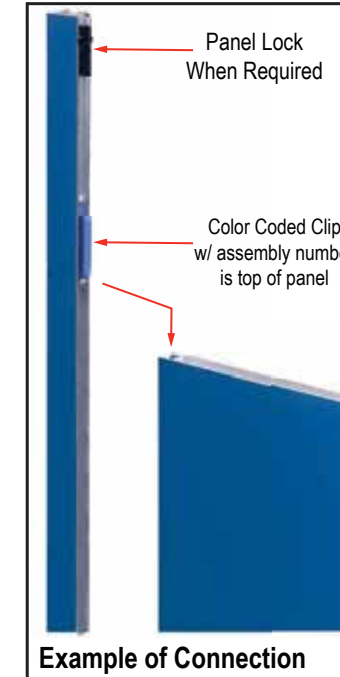
- 1) Use care when cleaning aluminum extrusion or acrylic inserts. Use only non-abrasive cleaners.
- 2) When cleaning laminate inserts, countertops, or panels use mild cleansers and a soft material such as cotton.
- 3) Keep all display components away from extreme heat and long exposure to sunlight to avoid warping and fading.
- 4) Retain all packing material. It will make re-packing much easier and will reduce the likelihood of shipping damage.



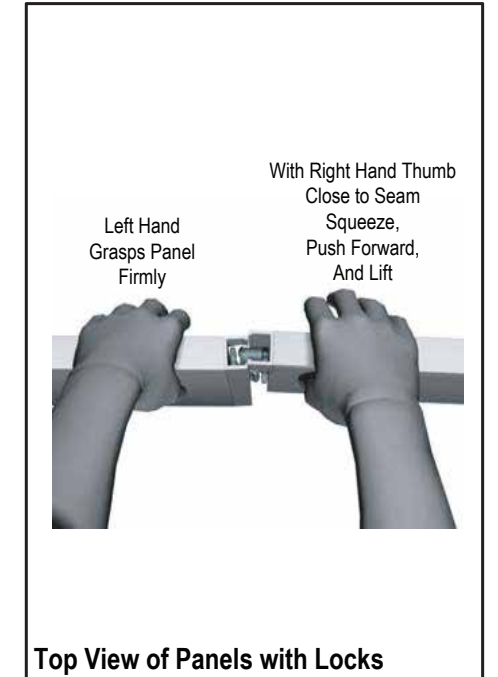
Each component has 2 clips, the lower clip is ALWAYS black. The top clip is color coded to distinguish which level. The color coded clip also contains the numbered label.



Components connect together by aligning them and sliding downward connecting clips together.



Configurations are assembled from left to right, usually starting with #1 and following the numbered sequence.

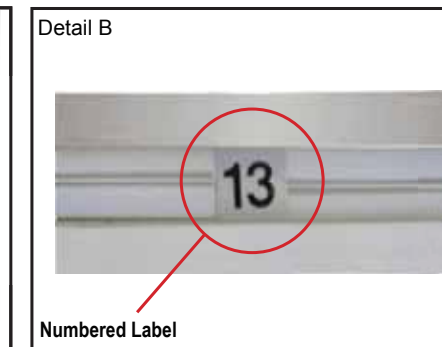


The first level of components contain panel locks that are located at the top of the panel for extra stability and seamless connection. When disassembling panels twist top connection slightly and lift right panel upward.

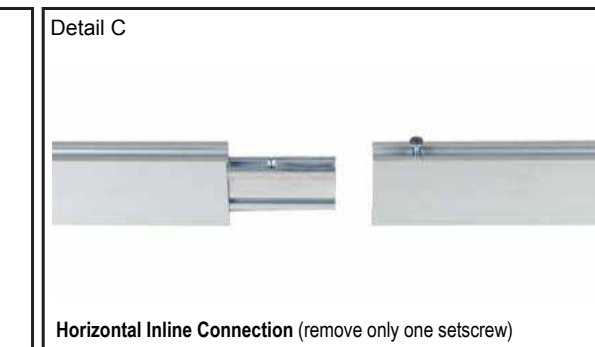
## General Setup Instructions for Extrusion System



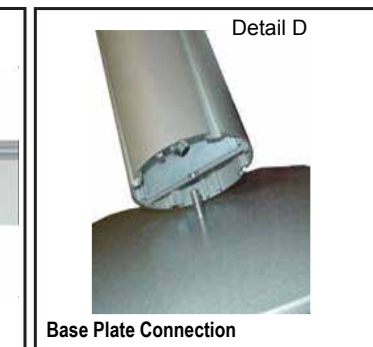
Most horizontal extrusion connections have a patented expandable lock. This lock inserts into the groove of an opposing extrusion. Tightening the lock with the Hex Key Tool expands the lock and creates a strong positive connection.



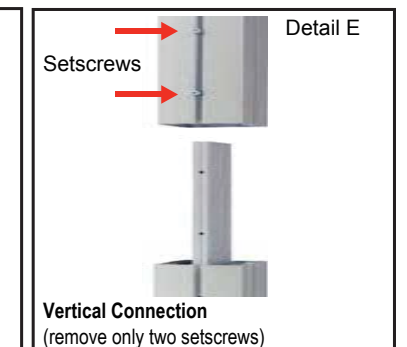
Each extrusion contains a numbered label which corresponds with setup instructions. The label is located within a groove of the extrusion (when possible). With extrusion components the labels contain Black numbers unless otherwise specified.



Remove only (1) setscrew when disassembling. Replace setscrew in extrusion after assembling it. Before packing, replace setscrew in extrusion to avoid losing it.



Attach base plate to round or square vertical extrusion using the bolt provided. Be careful not to strip the threads.



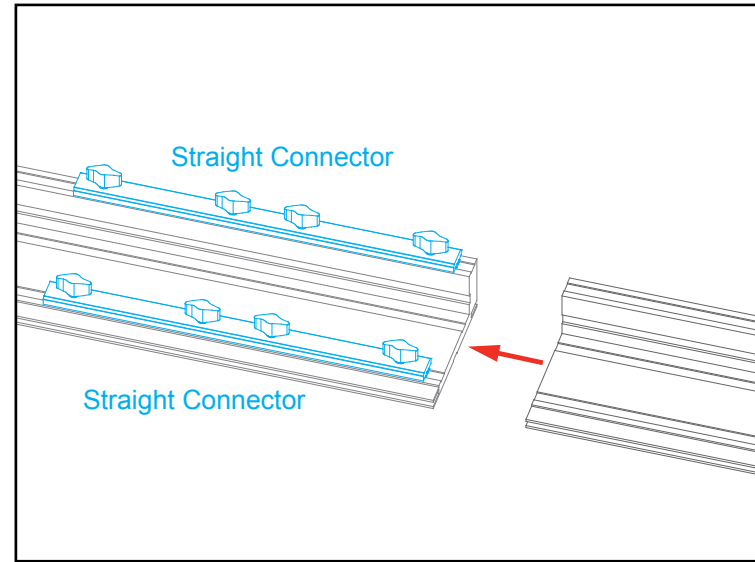
When vertical extrusions are packed in portable cases rather than crates or tubs, they must be broken down into smaller sections which then require assembly.

Remove only (2) setscrews when disassembling. Replace setscrews in extrusion after assembling it. Before packing, replace setscrews in extrusion to avoid losing them.

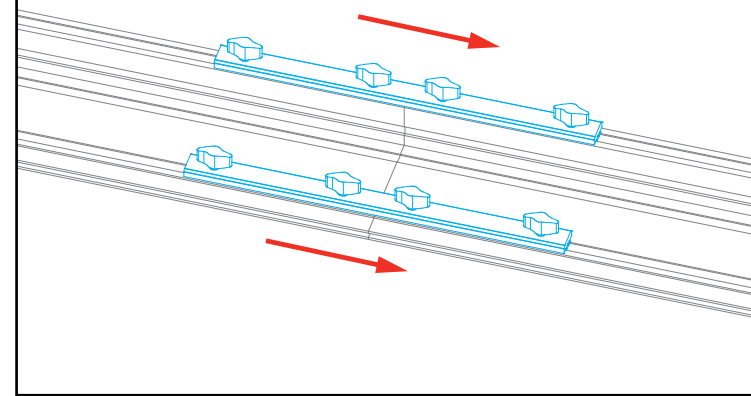
## Straight Connection

When assembling frame, first attach all **straight connectors**, then attach **corner connectors**.

- 1) Place extrusions end-to-end.
- 2) Loosen all knobs, then slide **straight connectors** across the seam of extrusions.
- 3) Tighten all knobs to secure connection.



Slide both connectors across seam of extrusions. Tighten all knobs.



All knobs must be tightened securely to ensure a proper connection.

## Disassembly

- 1) Loosen all knobs.
- 2) Slide connectors off of one extrusion.
- 3) Tighten knobs to prevent loss during packing & shipping.

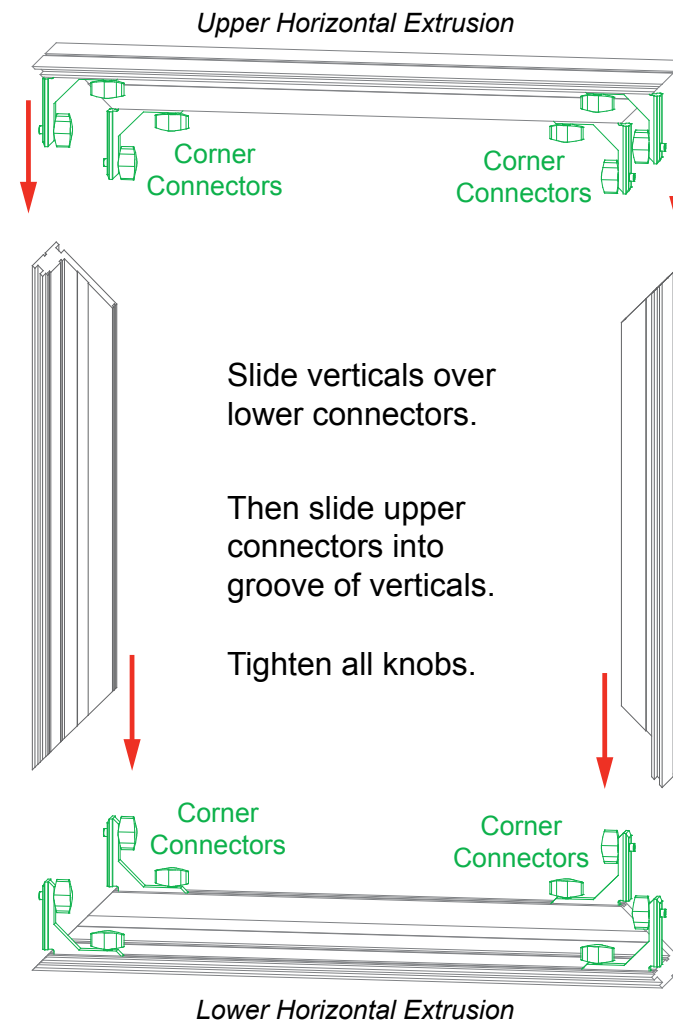
Keep straight connectors in groove of extrusion. Do not remove connectors during disassembly.

## Corner Connection

- 1) Loosen knobs, then slide vertical extrusions onto **corner connectors** of **lower** horizontal extrusion.
- 2) Slide **corner connectors** of **upper** horizontal extrusion into grooves of vertical extrusions.
- 3) Tighten all knobs to secure connection.

## Disassembly

- 1) Loosen knobs on vertical extrusions.
- 2) Slide the vertical extrusions off of **corner connectors** on lower and upper horizontal extrusions.



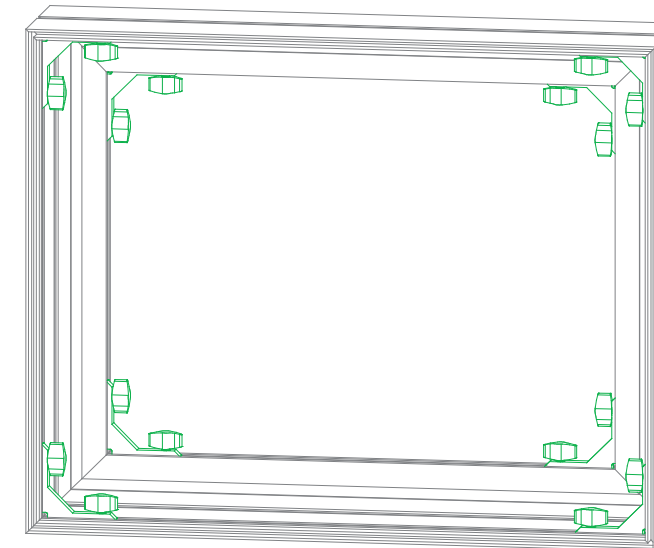
Slide verticals over lower connectors.

Then slide upper connectors into groove of verticals.

Tighten all knobs.

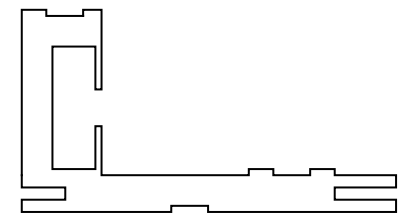


Adjust connectors if necessary to prevent gaps in connection.



COMPLETED ASSEMBLY

All knobs must be tightened securely to ensure a proper connection.

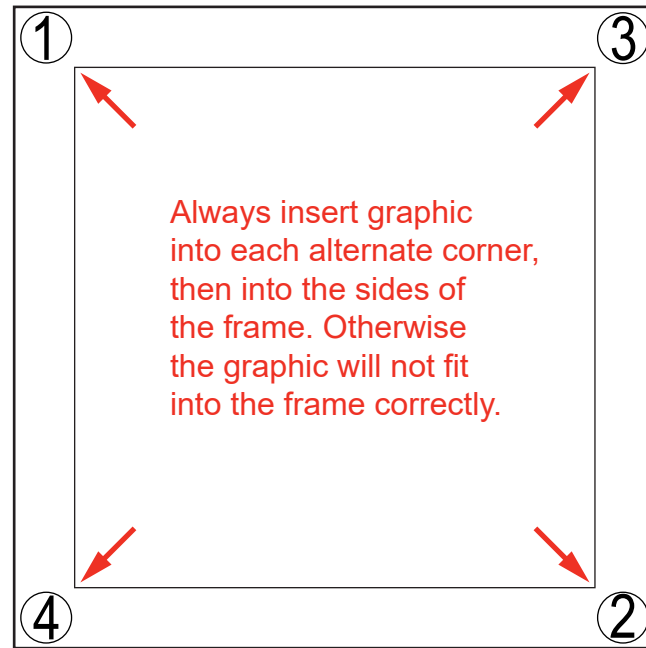


CEI110 Profile

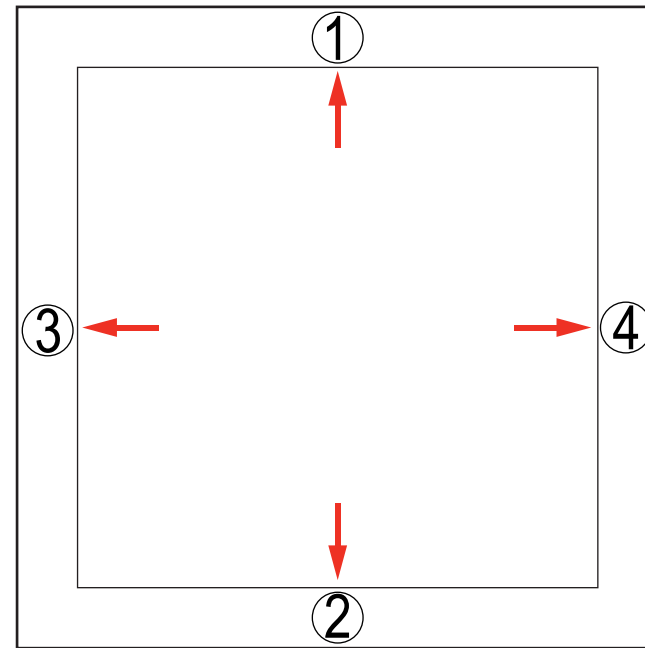
# SEG Graphic Installation *in 3 Steps*

*The Perfect Fit*

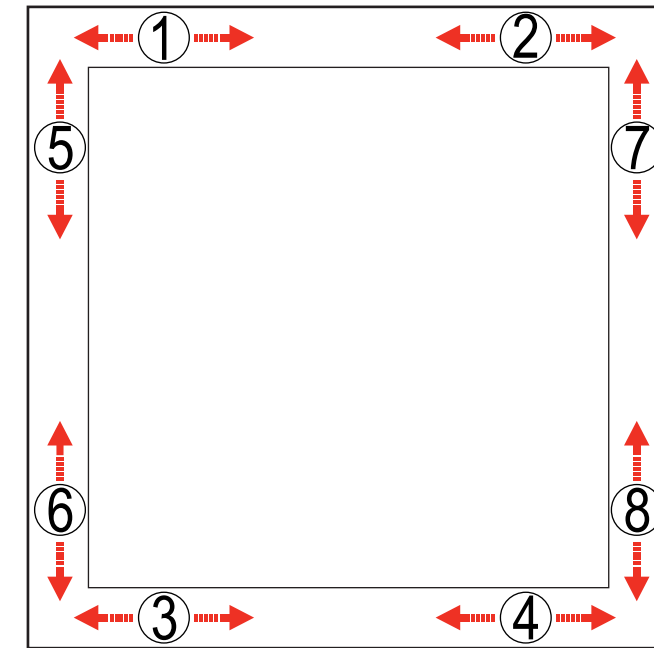
## STEP 1: Attach Corners



## STEP 2: Attach Middle



## STEP 3: Attach Sides



Insert narrow side of silicone welt into the channel at corner 1, with fabric to the outside.

Repeat for opposite corner 2, then corner 3, then corner 4.

Once corners are attached, press the middle of edge 1 into the channel. Then press middle of edge 2 into the channel on opposite side.

Repeat with edge 3 & 4.

Once the middle of sides are attached, fully press the silicone welt into the channel, between center and corner at location 1. Repeat the process between center and corner at location 2.

Do the same for welt on opposite side, at locations 3 & 4. Then repeat for locations 5 & 6 and 7 & 8.

Once the welt is fully inserted on all sides, smooth out edges as needed for a perfect fit.



To remove the graphic from the frame, locate the fabric **pull tab**. Gently pull on the tab to remove the graphic.

Install video:

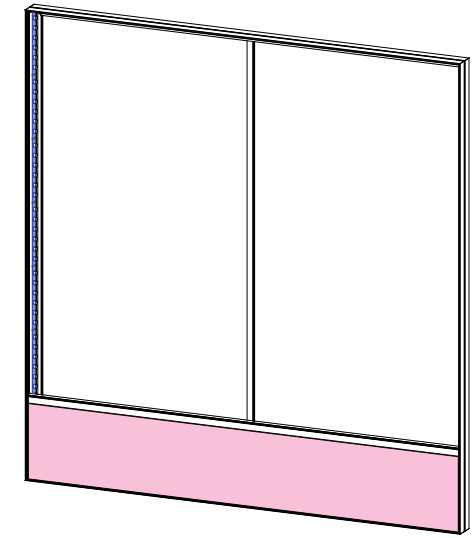
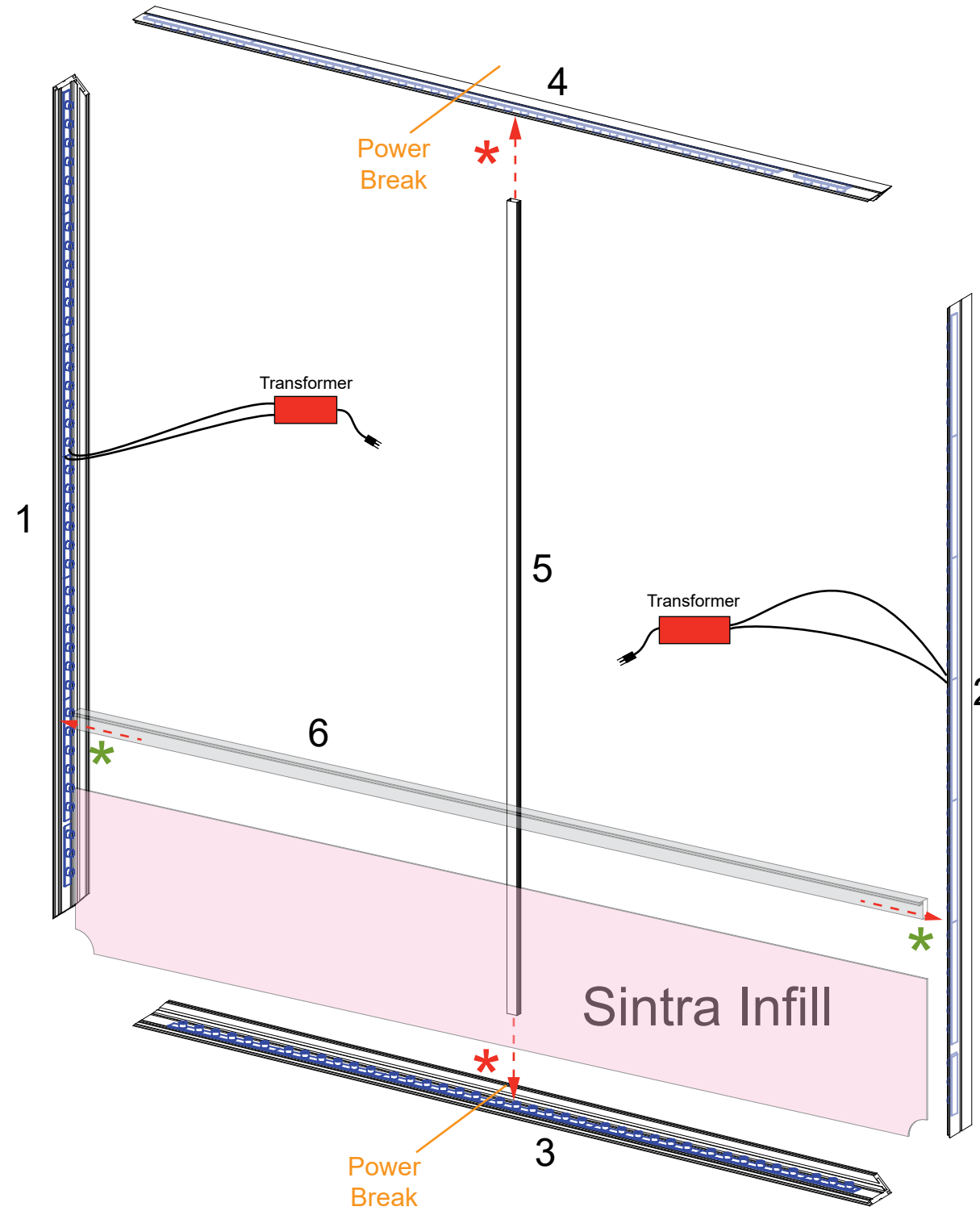
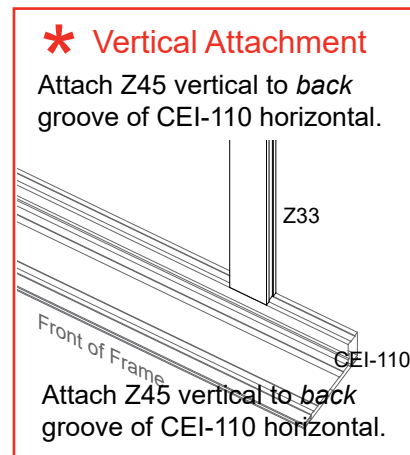
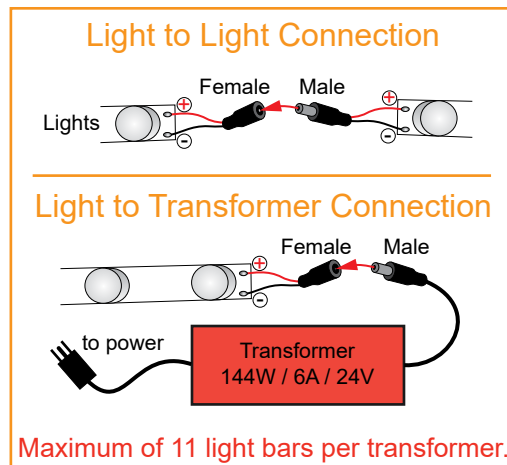
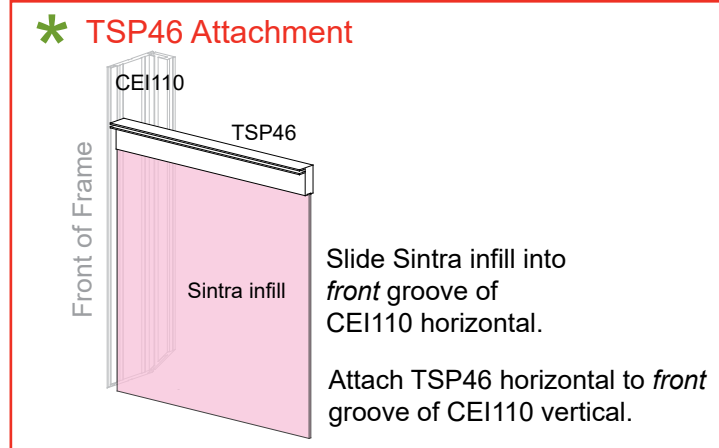


CRATE PACKING

Item	Qty.	Description
1	1	95" CEI110 Vertical Extrusion
2	1	95" CEI110 Vertical Extrusion
3	1	92" CEI110 Horizontal Extrusion
4	1	92" CEI110 Horizontal Extrusion
5	1	91.353" Z33 Vertical Support Extrusion
6	1	91.252" TSP46 Horizontal Extrusion

**Steps:**

- 1) Start flat on floor: Assemble extrusions [1, 2, 3, and 4] together.  
See CEI110 Frame Assembly sheet for instruction.
- 2) Insert sintra infill as shown.
- 3) Connect horizontal extrusion [6] between [1 and 2].  
See **TSP46 Attachment** detail below.
- 4) Attach extrusion [5] to extrusion [3 and 4], see **Vertical Attachment** detail below.
- 5) Connect lighting cords and attach transformers.  
See **Light Connection** details.
- 6) Attach graphic to front of assembled frame.  
See SEG Graphic Installation sheet for details.

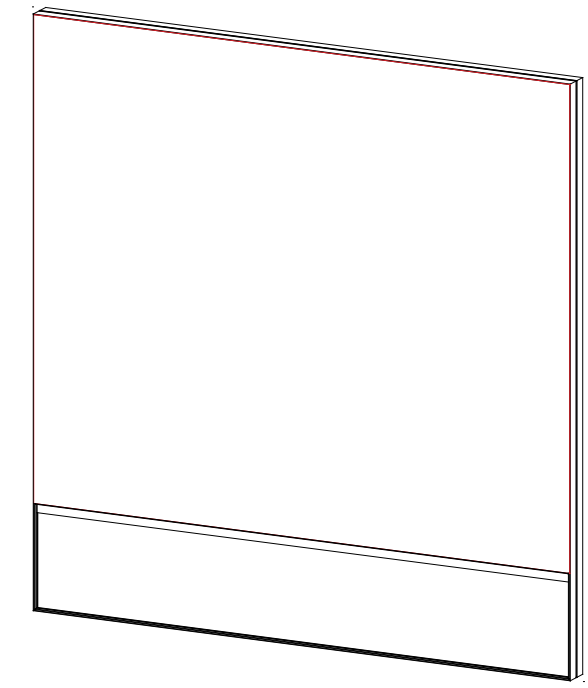
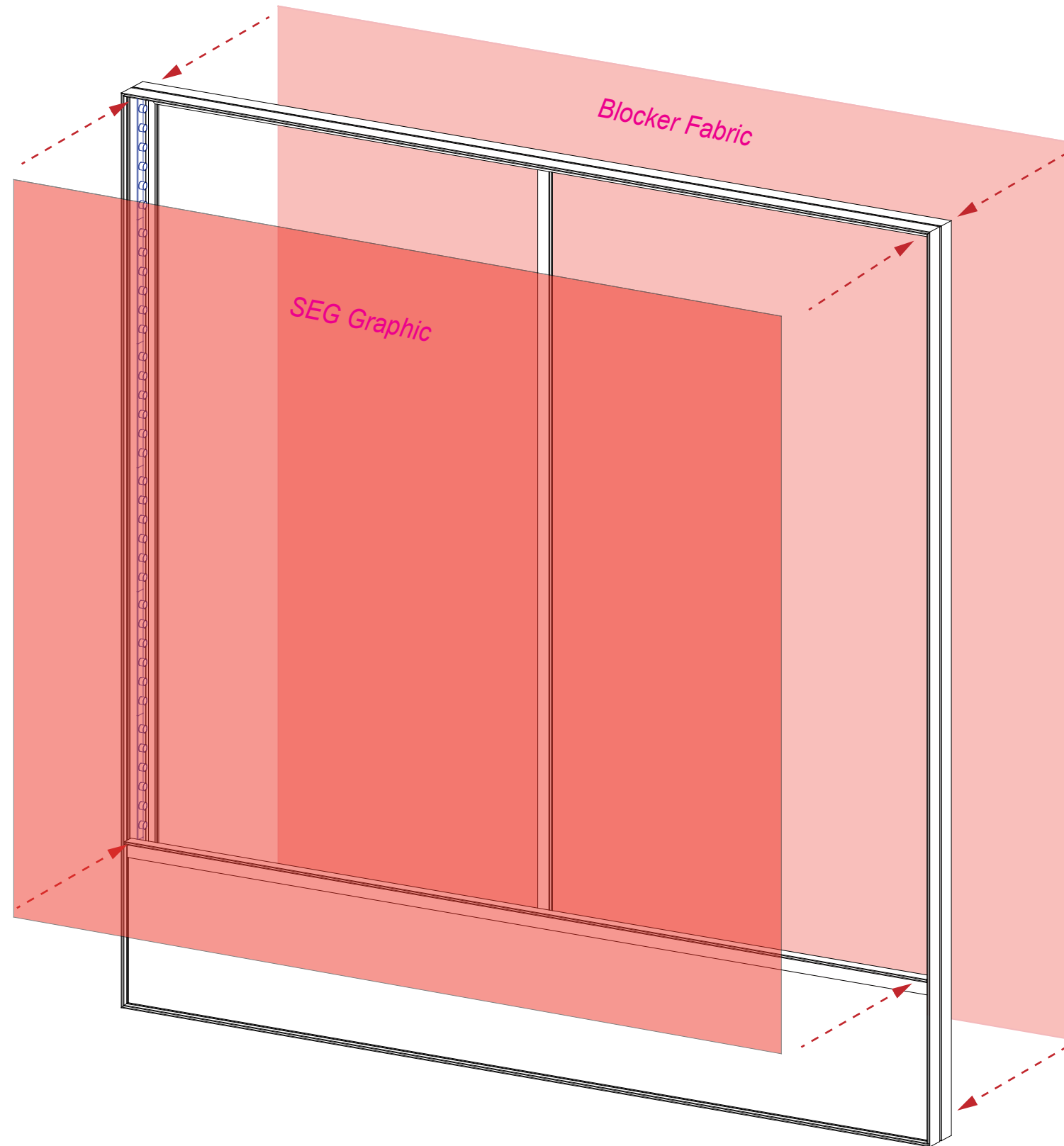


Completed Assembly



Steps:

- 1) Install SEG Graphics and Blocker to assembled backwall as shown.  
See SEG Graphic Installation sheet for instructions.

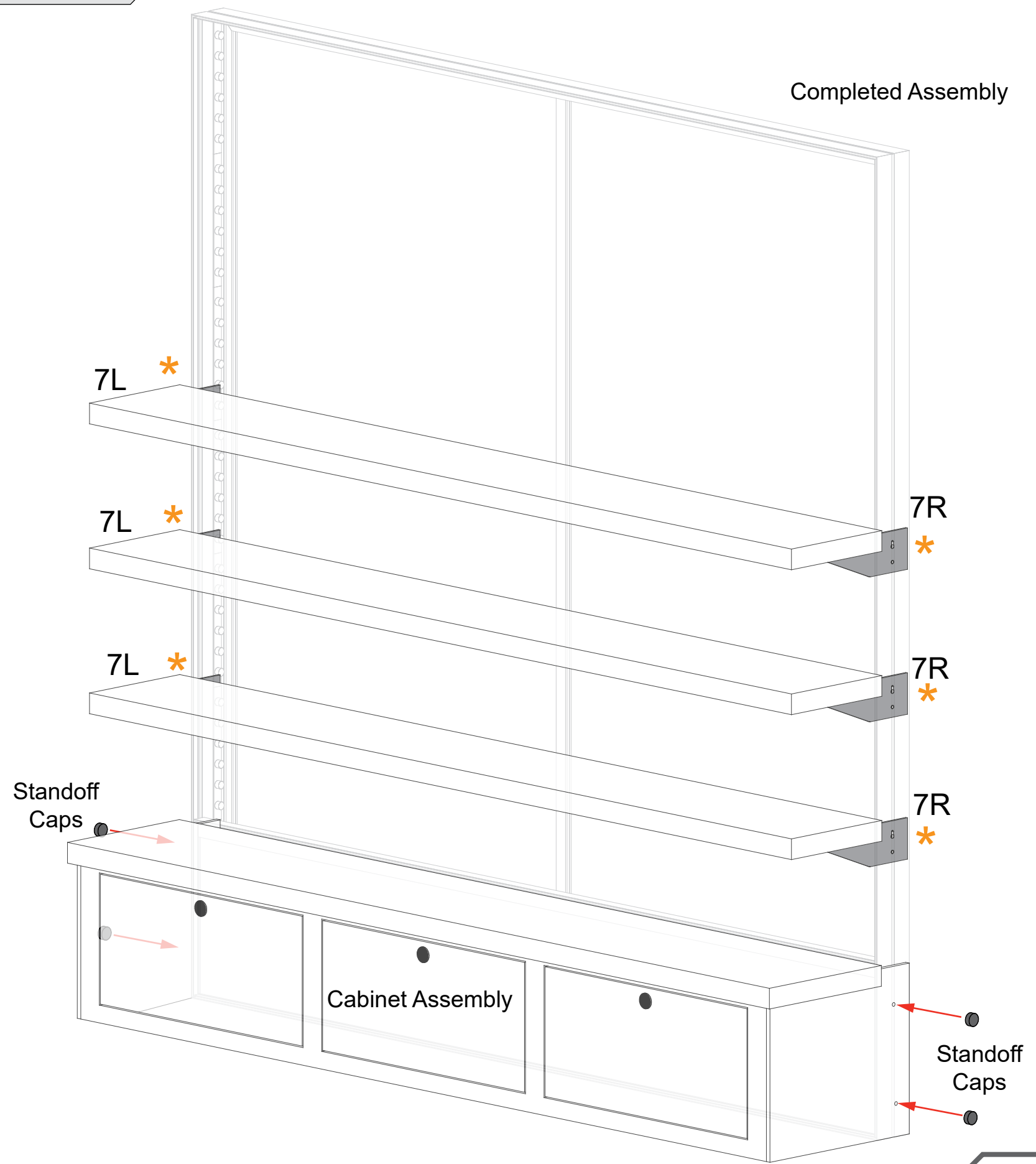
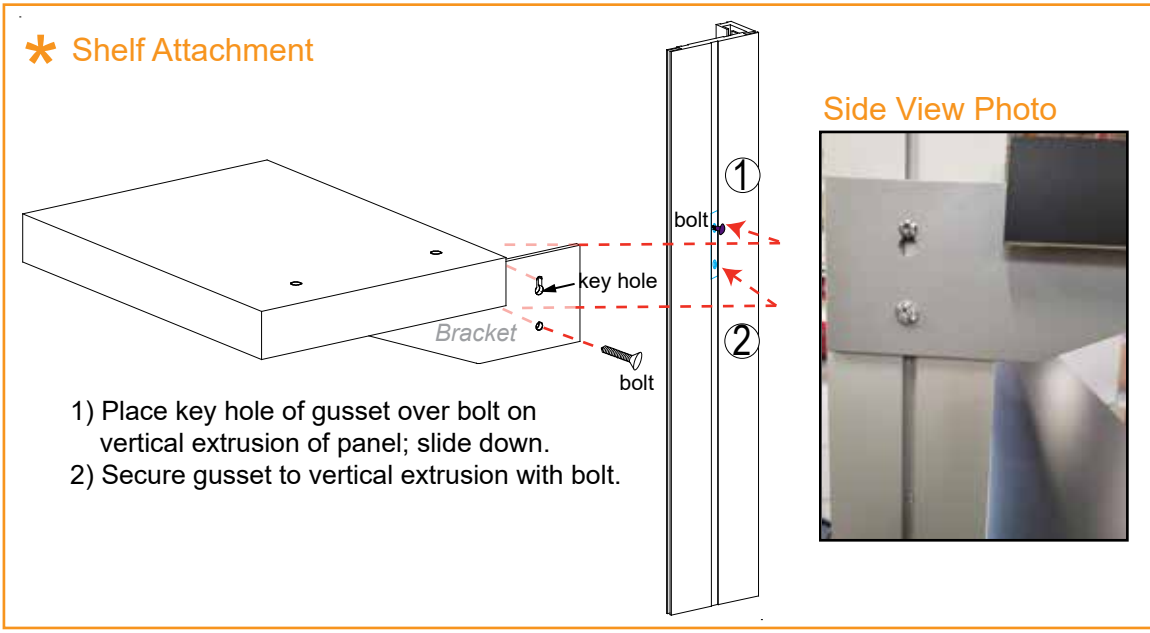
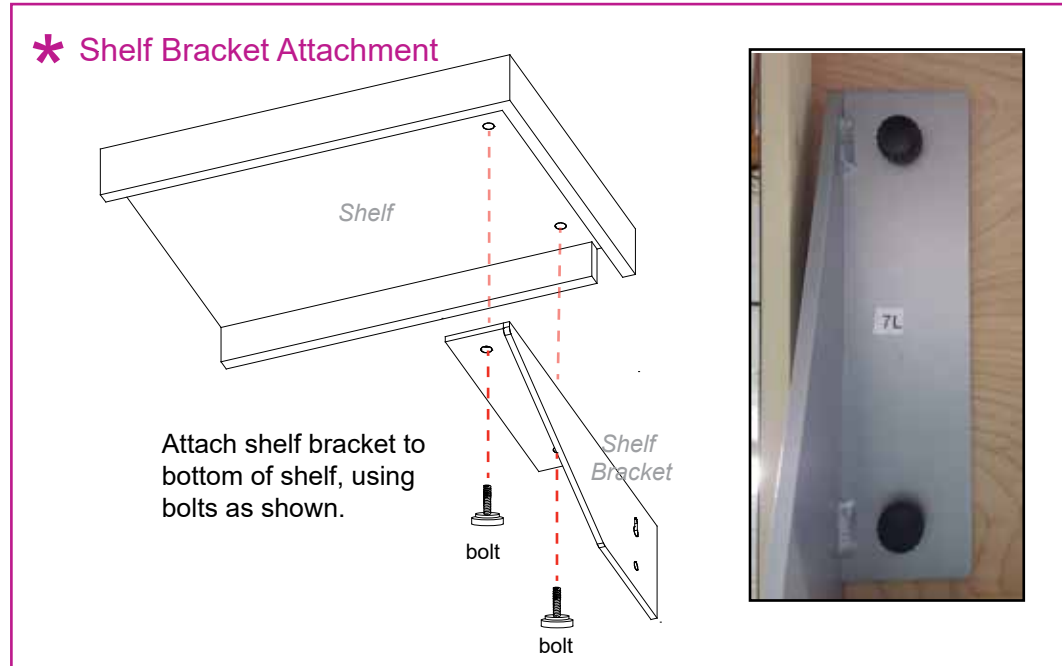


Assembled View

Item	Qty.	Description
7L	3	Left Side Shelf Bracket
7R	3	Right Side Shelf Bracket

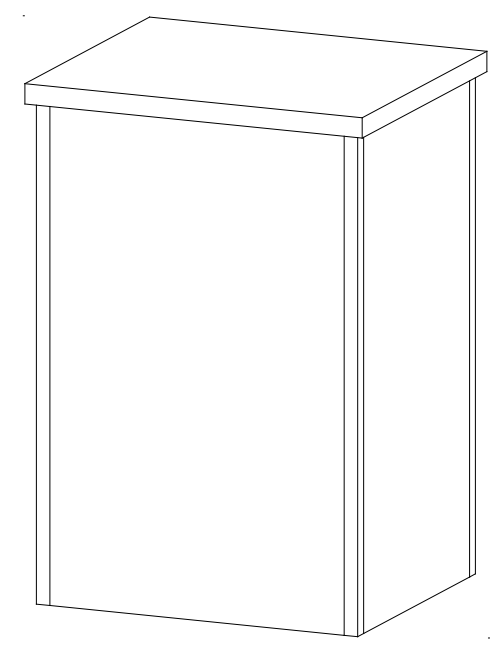
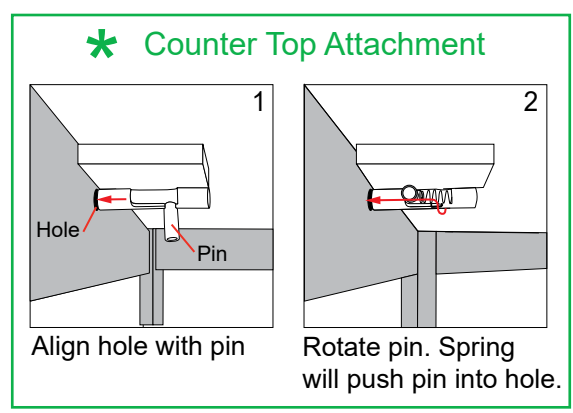
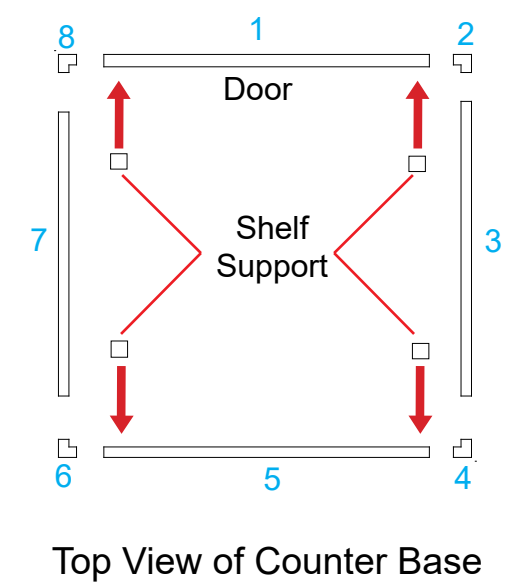
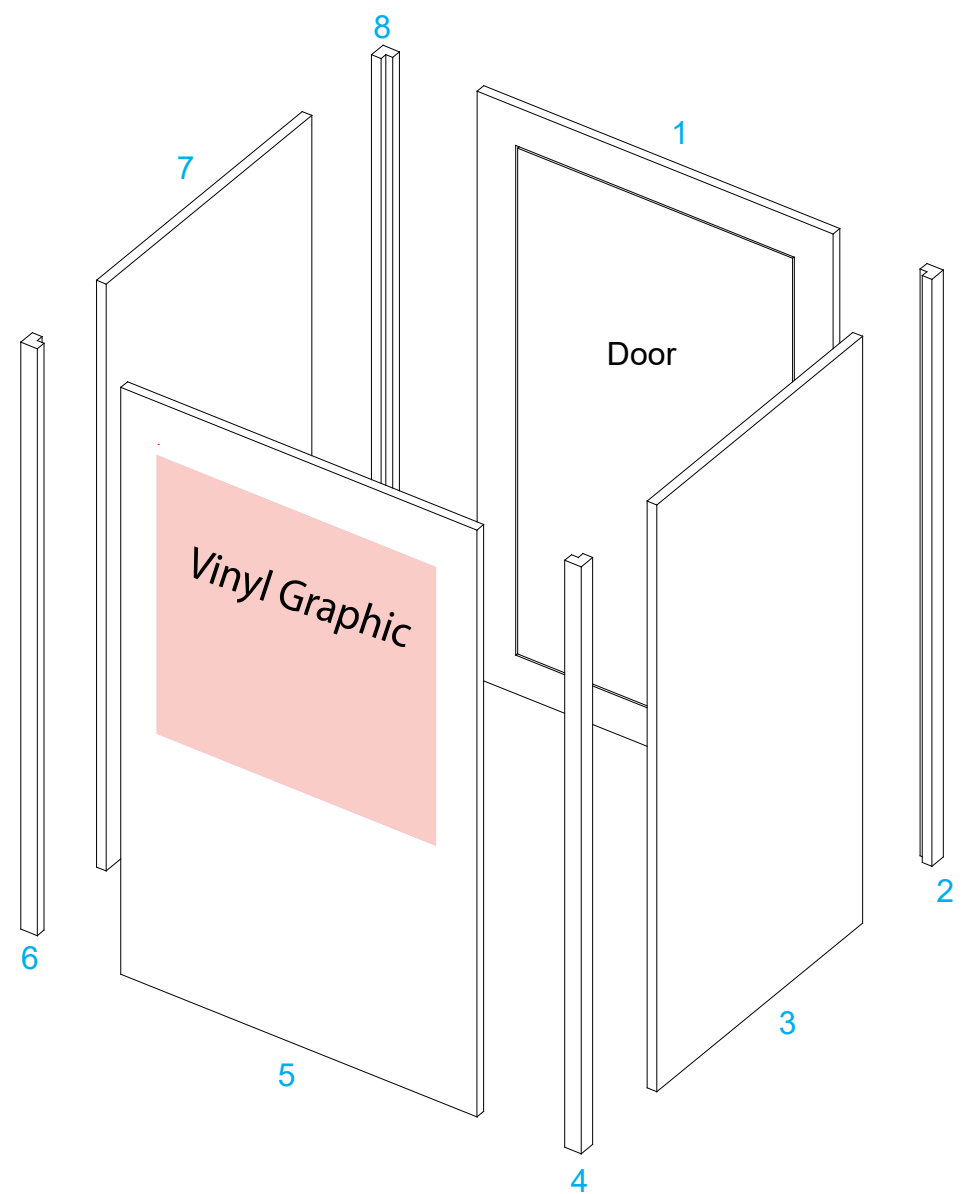
Steps:

- 1) Attach shelf brackets [7L and 7R] to underside of shelves.  
see [Shelf Bracket Attachment](#) detail below.
- 2) Connect assembled shelves to backwall.  
See [Shelf Attachment](#) details.
- 3) Attach assembled cabinet unit to backwall using Stand-off caps where indicated.

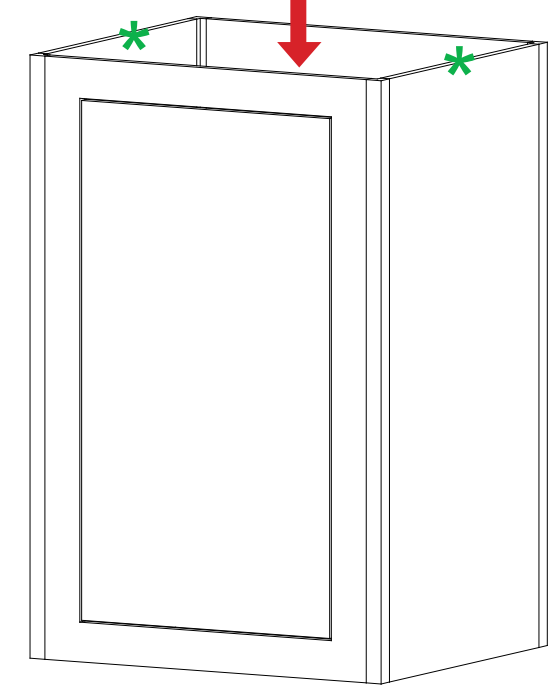
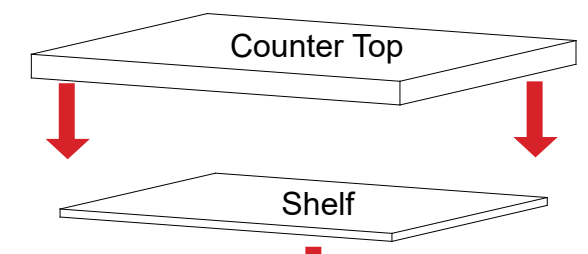


Item	Description
1	23" w x 38" h Panel w/ Door
2	38" h 90° Connector
3	23" w x 38" h Panel
4	38" h 90° Connector
5	23" w x 38" h Panel
6	38" h 90° Connector
7	23" w x 38" h Panel
8	38" h 90° Connector

- Steps:**
- 1) Connect panels together in numerical order. See LT Panel Assembly instruction on reverse side.
  - 2) Connect shelf supports to Velcro on interior of assembled panels then set shelf on top of supports.
  - 3) Set counter top on top of assembled panels then secure with pins. See [Counter Top Attachment](#) detail.



Completed Assembly



Back View