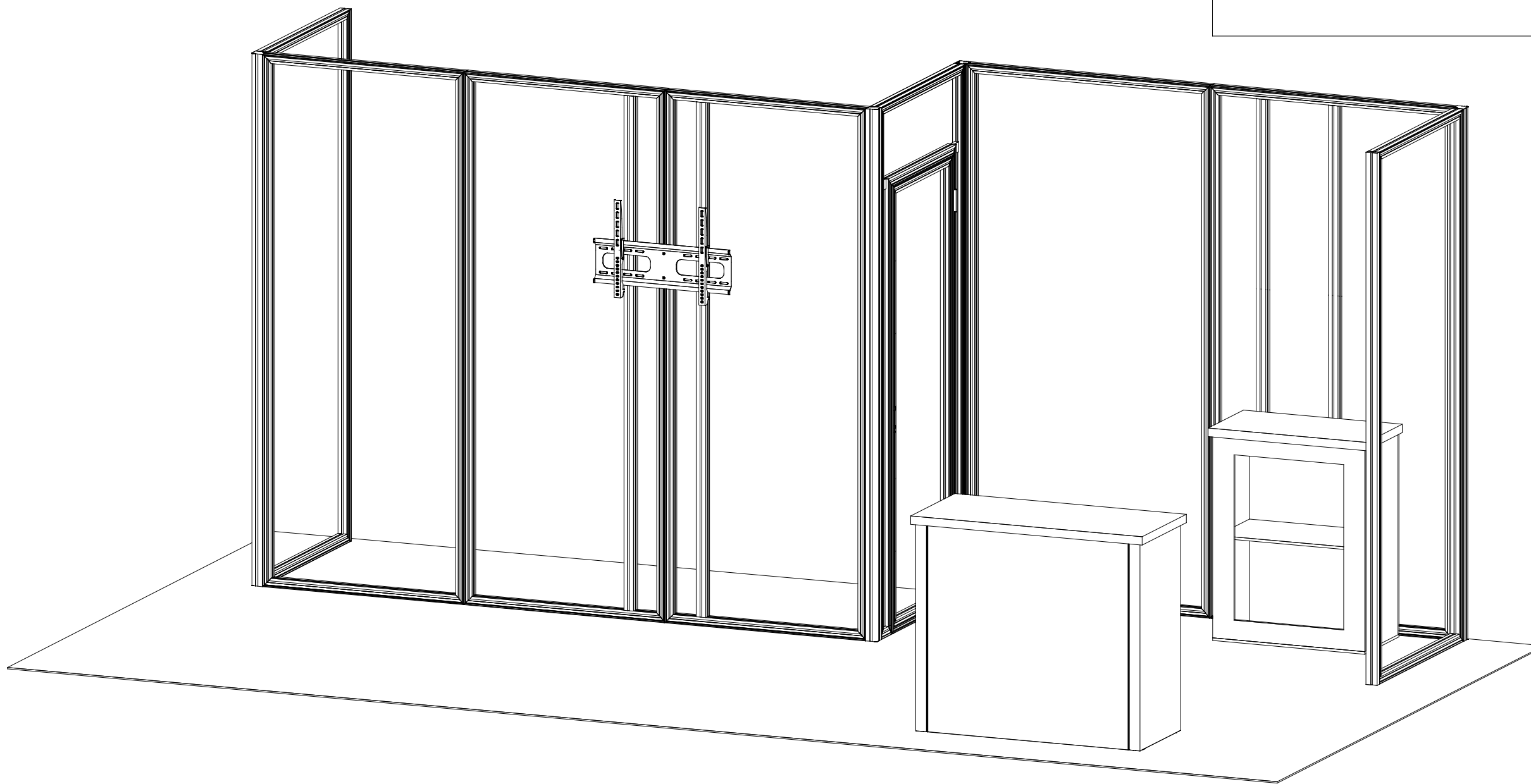
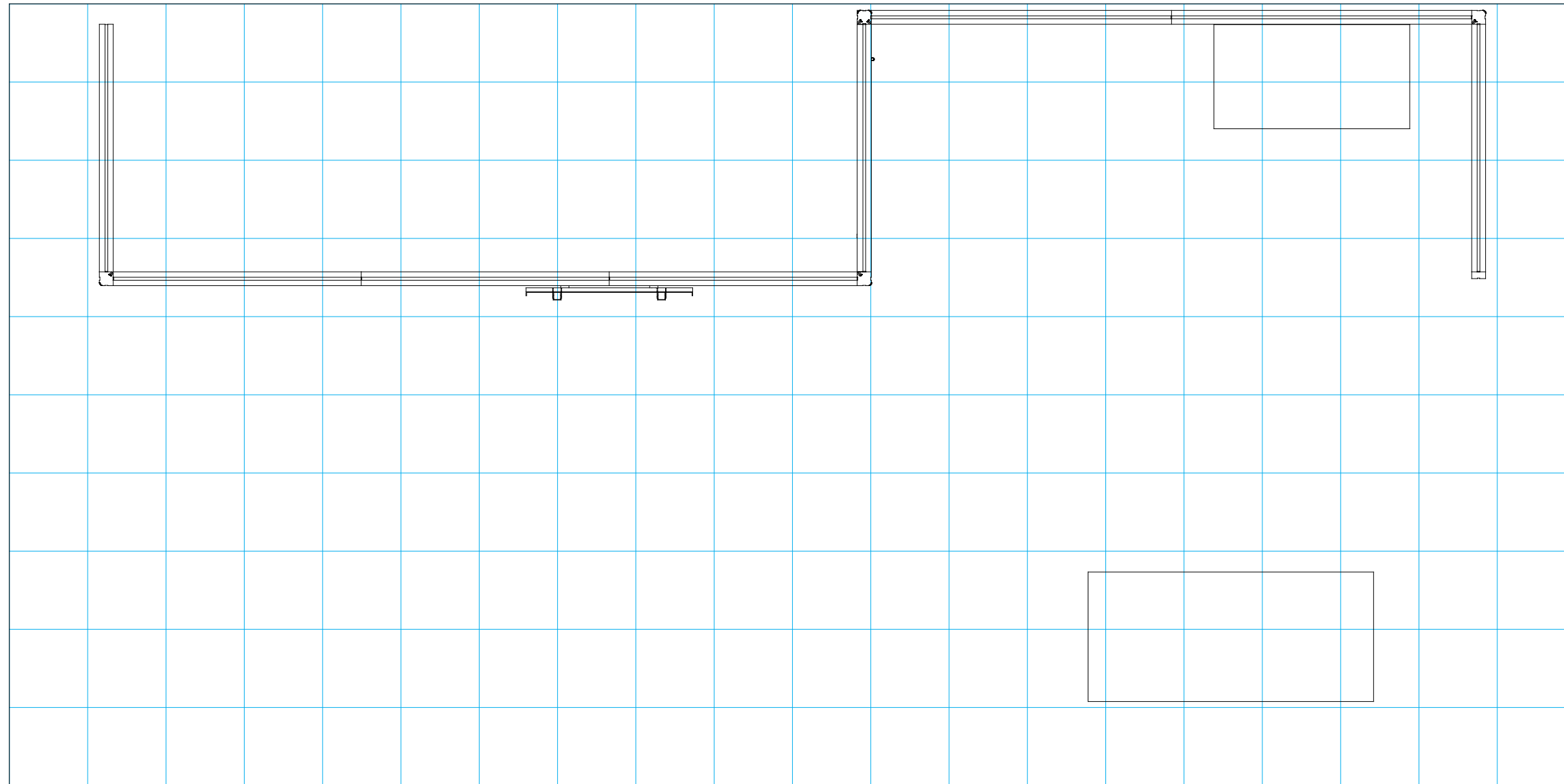
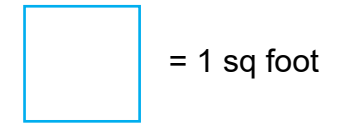


20'

Plan View

10'





General Setup Instructions

- Read entire setup instruction manual prior to unpacking parts and pieces.
- The setup instructions are created specifically for this configuration.
- Setup instructions are laid out sequentially in steps, including exploded views with detailed explanation for assembly.

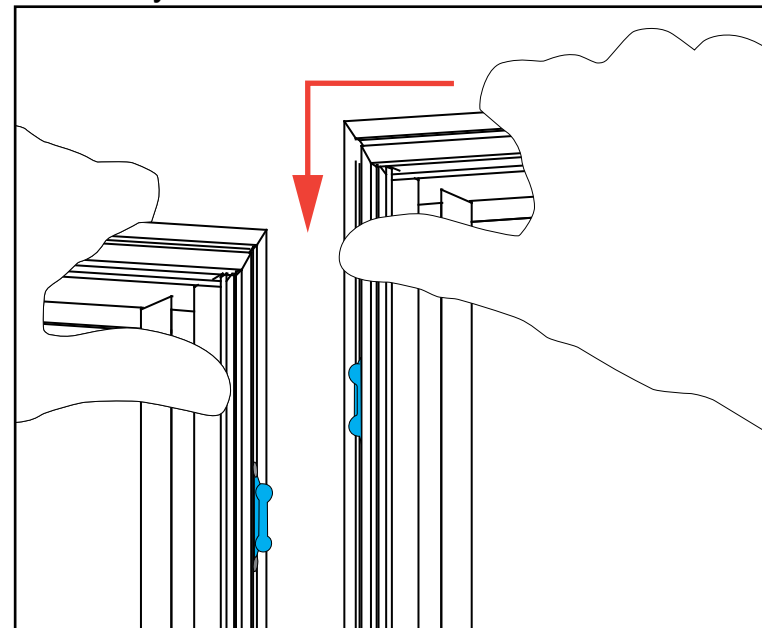
Cleaning & Packing

- For Cleaning Metal, Plex, & Laminate Parts: Use a **MILD NON-ABRASIVE** cleanser and soft cloth/paper towel to clean all surfaces.
- Keep exhibit components away from heat and prolonged sun exposure. **Heat and UV exposure will warp and fade components.**
- Retain all provided Packing Materials. All provided packing materials are for ease of repacking & component protection.

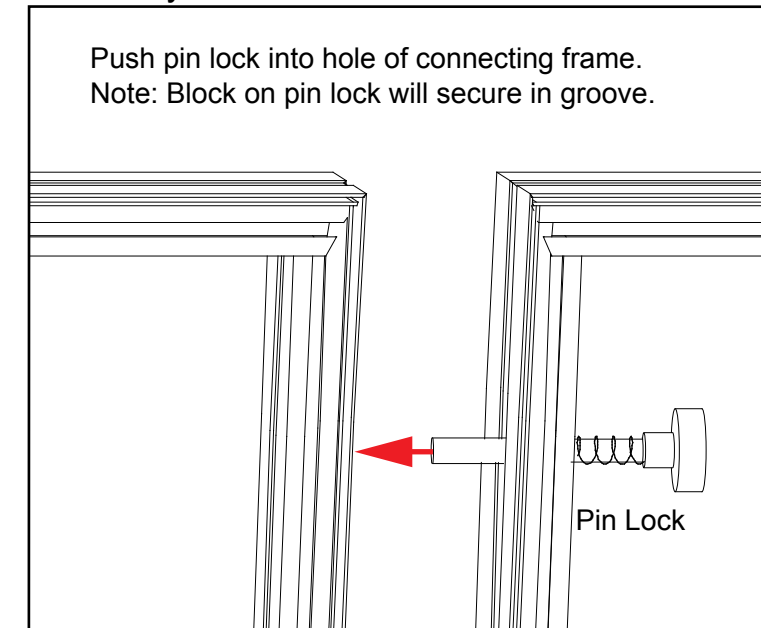
Disassembly

- For loss prevention, tighten all set screws and locks during disassembly.

Assembly



Assembly Cont'd



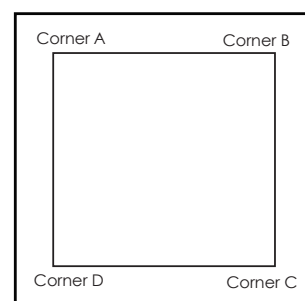
Side-by-Side Assembly

- 1) Frames: Place frames side-by-side with one higher than the other, then slide panel down to lock panels securely together.
- 2) Corner Connectors: Repeat Step 1 for installing corner connectors to frames.

Side-by-Side Disassembly

- 1) Pull pin lock outwards to disengage.
- 2) Pull frames upward and apart at the same time to detach.

SEG Graphic Installation



It is important to first insert graphic into each alternate corner, then to the sides of the frame.
If this is not done, graphic will not fit into the frame correctly.



Step 1
Insert corner A.
Turn edge of graphic so silicon welt is perpendicular to face of graphic. Insert narrow side of welt with fabric to outside into the channel. Repeat for other side of this corner.

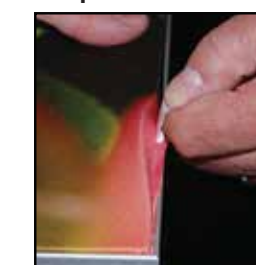


Step 2
Repeat Step 1 for opposite corner C, then insert corner B, followed by corner D, to complete the installation of the corners.



Step 3
Once all corners are inserted, press one silicon edge into channel from corners and work toward the center. Make sure welt is fully inserted into channel. Continue until all sides are done. Smooth out edges of graphic.

Graphic Removal



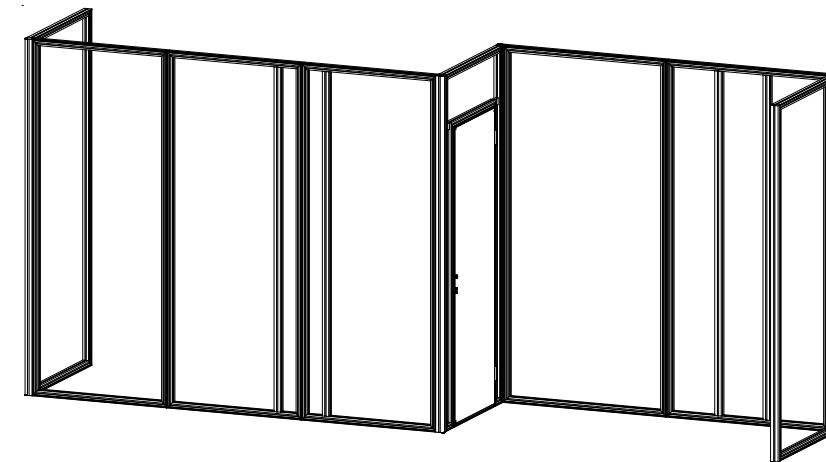
To remove the graphic from the frame, locate the fabric pull tab. Gently pull up on the tab to remove the fabric.

CRATE PACKING

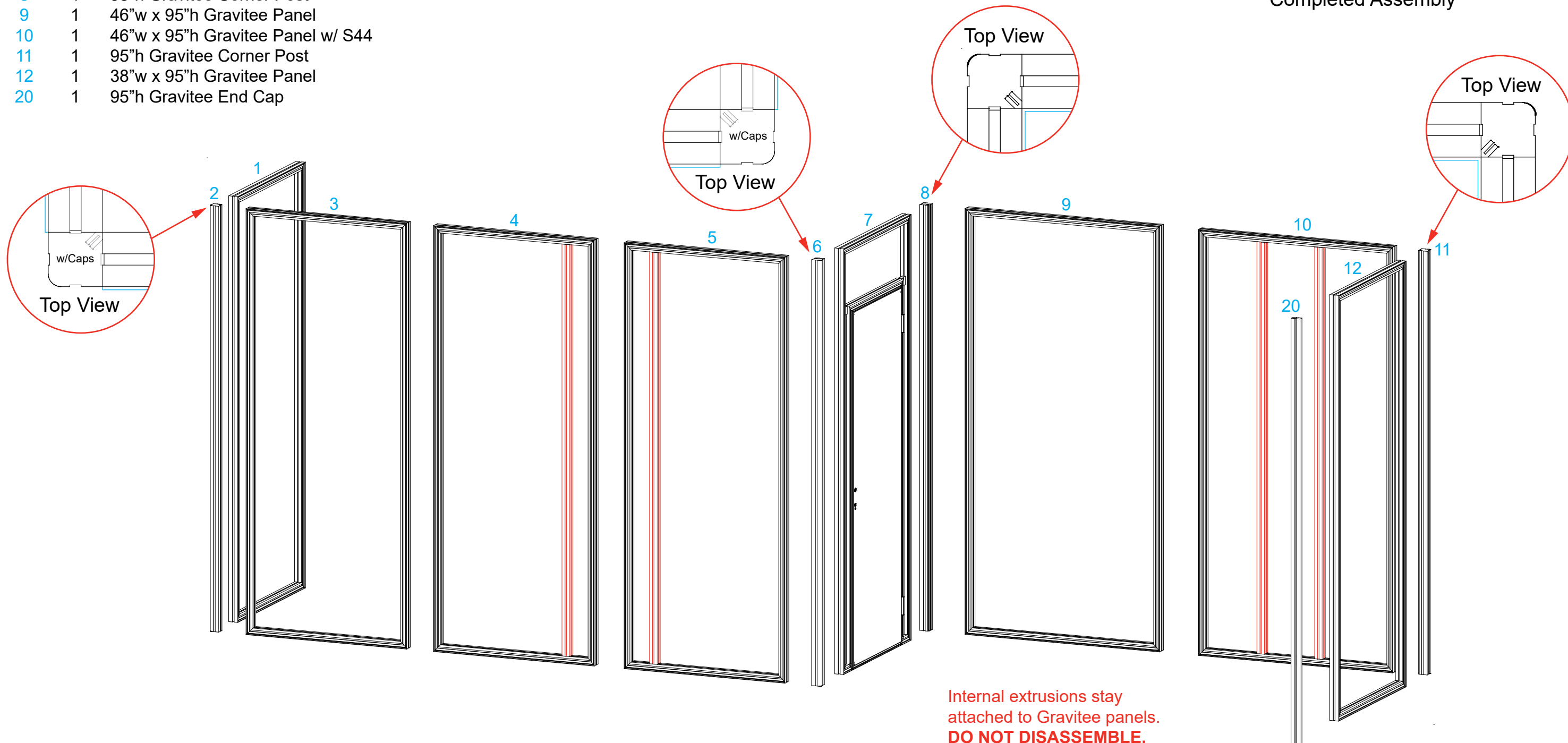
Item	Qty.	Description
1	1	38"w x 95"h Gravitee Panel
2	1	94.5"h Gravitee Corner Post w/ Caps
3	1	38"w x 95"h Gravitee Panel
4	1	38"w x 95"h Gravitee Panel w/ S44
5	1	38"w x 95"h Gravitee Panel w/ S44
6	1	94.5"h Gravitee Corner Post w/ Caps
7	1	38"w x 95"h Gravitee Panel w/ Door
8	1	95"h Gravitee Corner Post
9	1	46"w x 95"h Gravitee Panel
10	1	46"w x 95"h Gravitee Panel w/ S44
11	1	95"h Gravitee Corner Post
12	1	38"w x 95"h Gravitee Panel
20	1	95"h Gravitee End Cap

Steps:

1) Assemble panels and connectors [1] through [12] & end cap [20] in numerical order, as shown. See the Gravitee Assembly general information sheet for instruction.

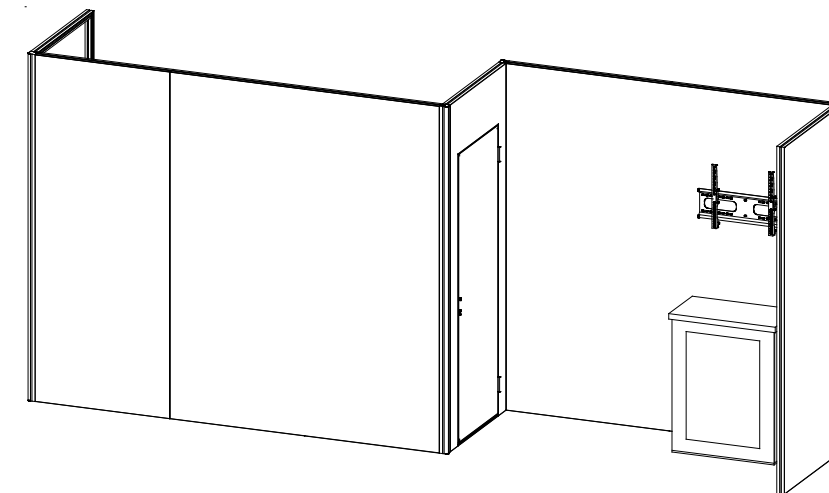


Completed Assembly



Item	Qty.	Description
--	1	Light Panel for Gravitee Panel [3].
--	1	30"w x 38"h x 16"d Workstation Counter

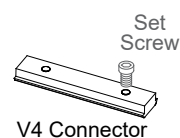
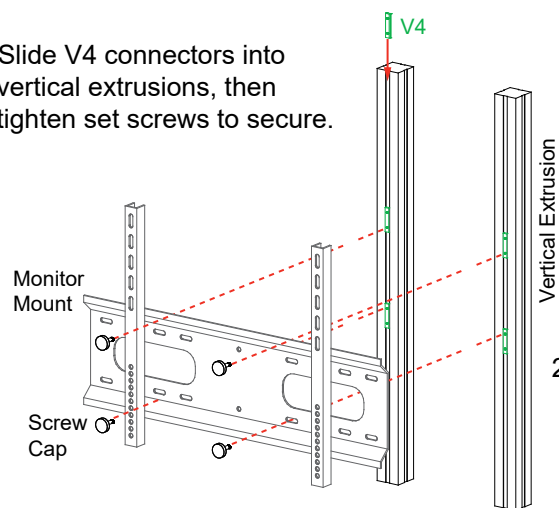
- Steps:
- 1) Attach light panel to back of Gravitee panel [3]. See [Light Panel](#) detail.
 - 2) Install SEG graphics to backwall. See the General Information sheet for instruction.
 - 3) Attach monitor mount to panel [10]. See [Monitor Mount Attachment](#) detail.
 - 4) Place workstation counter in front of panel [10], as shown.



Completed Assembly

* Monitor Mount Attachment

1) Slide V4 connectors into vertical extrusions, then tighten set screws to secure.

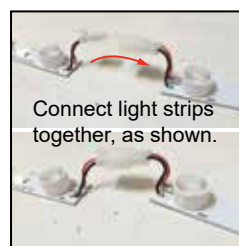
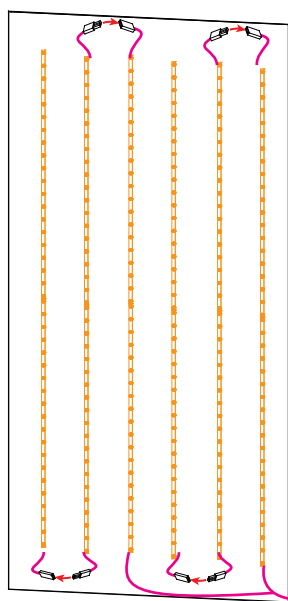


2) Attach monitor mount to V4 connectors using screw caps.

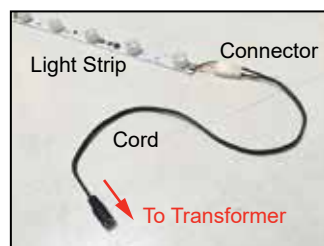
Monitor mount installs over fabric graphic.

* Light Panel

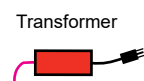
- 1) Connect light strips together & attach transformers.
- 2) Run power cords out hole in back of light panel to power source.
- 3) Connect light panel to Velcro on back of Gravitee panel.



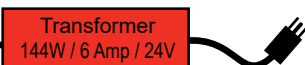
Light to Light Attachment



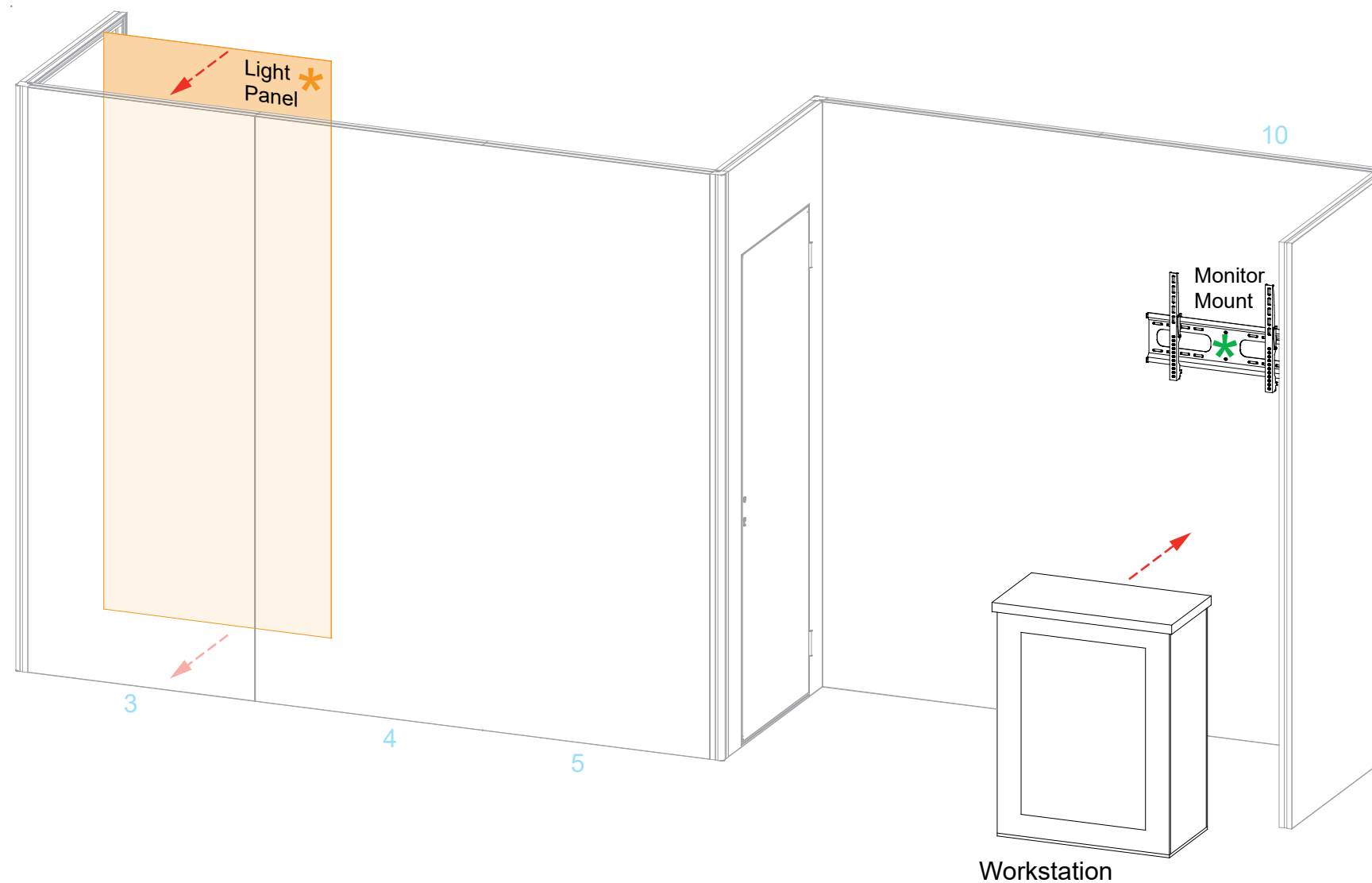
Light to Transformer Attachment



Maximum 8 light strips per transformer.



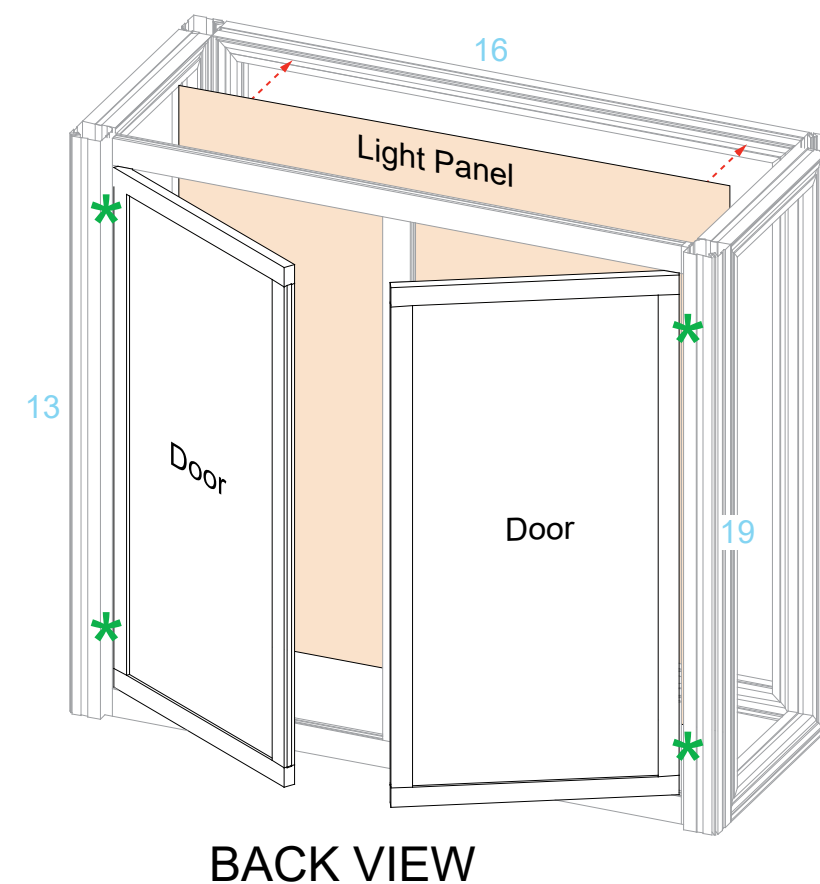
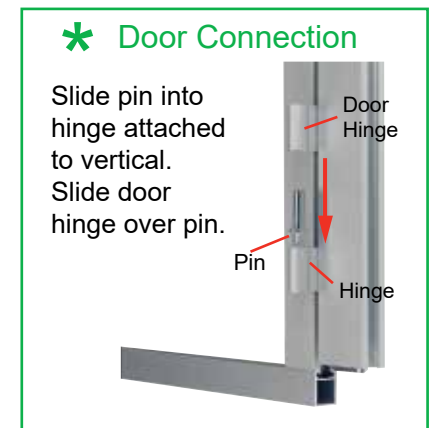
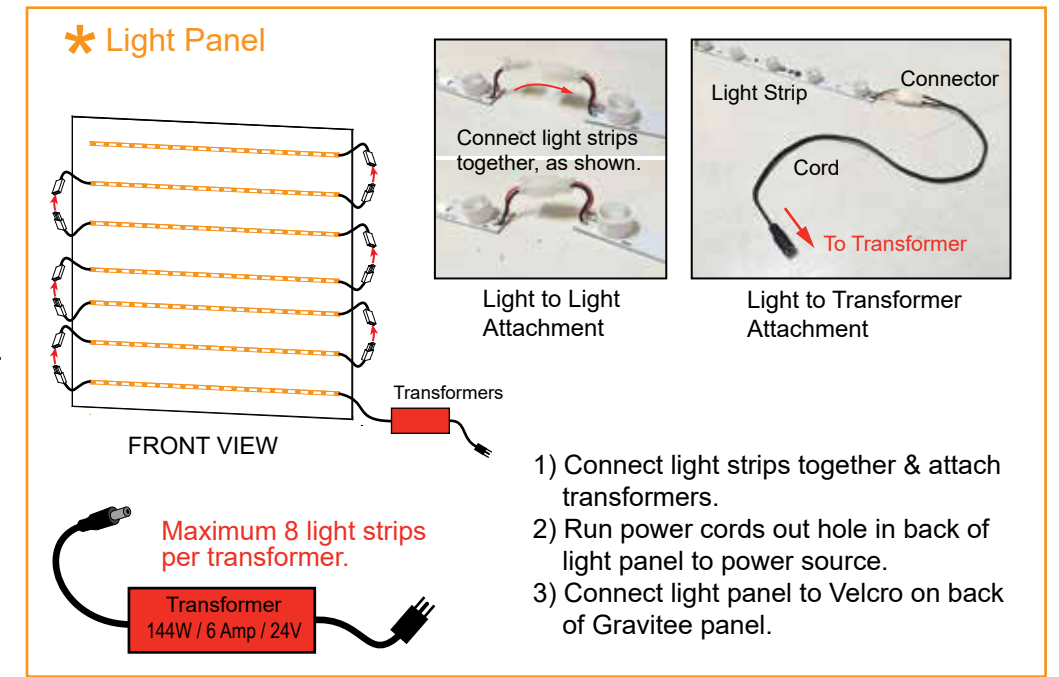
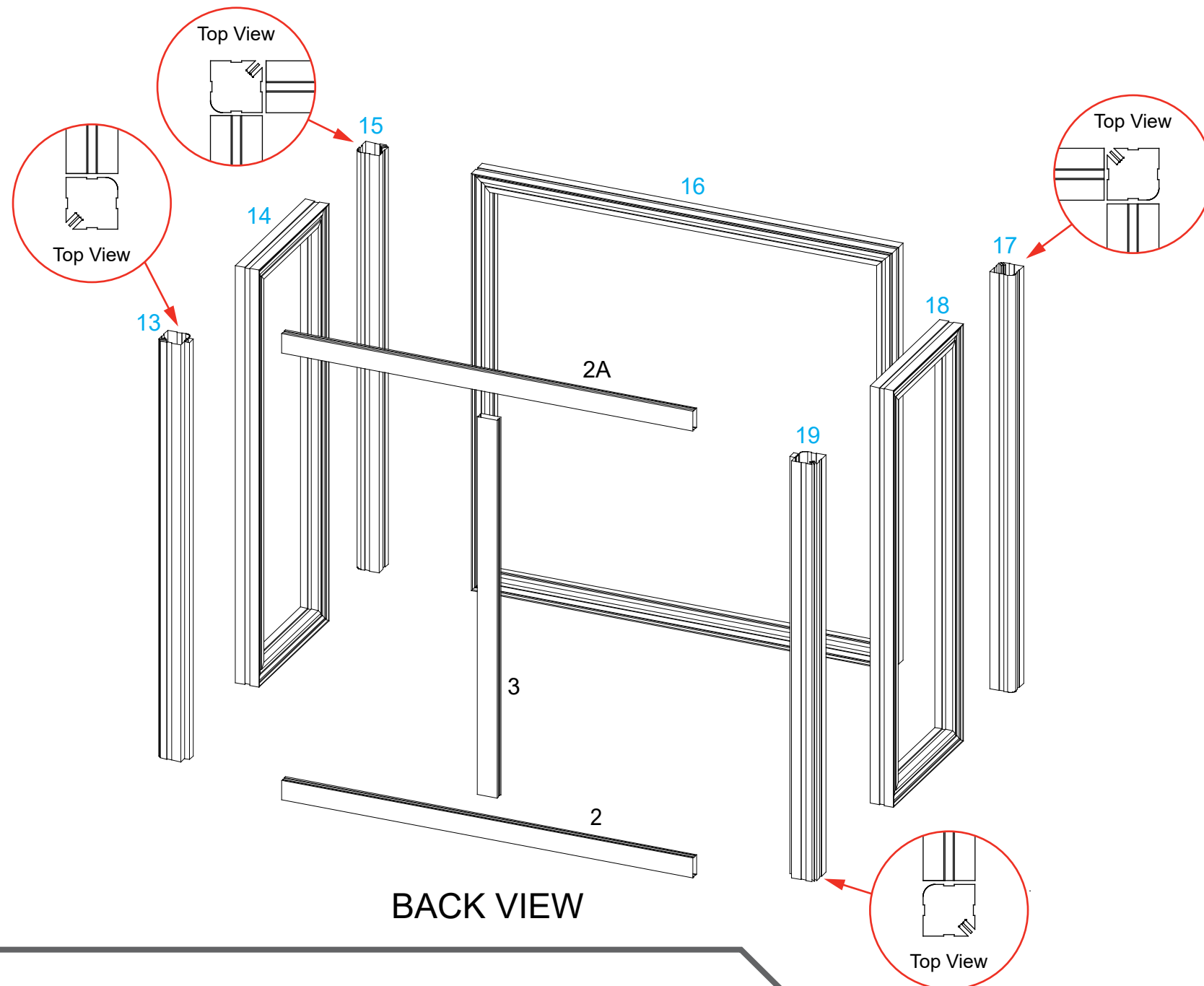
FRONT VIEW



Workstation

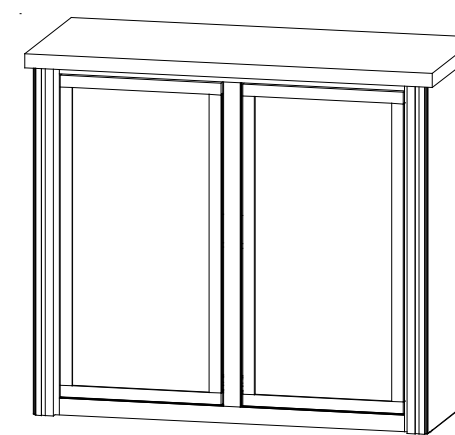
Item	Qty.	Description
13	1	37.5"h Gravitee Corner Post w/ S10 Caps & Door Hinges
14	1	14.125"w x 38"h Gravitee panel
15	1	37.5"h Gravitee Corner Post w/ caps
16	1	38"w x 38"h Backlit Gravitee Panel
17	1	37.5"h Gravitee Corner Post w/ caps
18	1	14.125"w x 38"h Gravitee panel
19	1	37.5"h Gravitee Corner Post w/ S10 Caps & Door Hinges
2,2A	1,1	37.094"w Z45 Horizontal Extrusion
3	1	34.417"h Z45 Vertical Extrusion w/ Door Stopper
--	--	Light Panel for Gravitee Panel [16]

- Steps:
- 1) Assemble Gravitee panels & posts together, in numerical order as shown, making sure Velcro is facing inward.
 - 2) Attach lower horizontal [2] between posts [13] and [19].
 - 3) Attach vertical [3] to horizontal [2].
 - 4) Attach upper horizontal [2A] between posts [13] and [19], then attach vertical [3] to horizontal [2A].
 - 5) Connect doors to posts [13] and [19]. See [Door Connection](#) detail.
 - 6) Connect light panel to back of Gravitee panel [16]. See [Light Panel](#) detail.

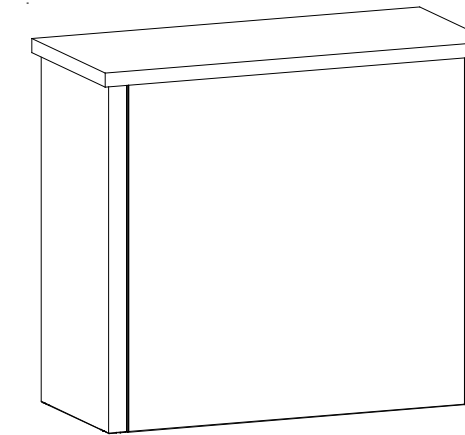


Item	Qty.	Description
--	4	18"h Shelf Supports

- Steps:
- 1) Apply SEG graphics to front and sides of counter assembly. See General Information sheet for instruction.
 - 2) Connect shelf supports to Velcro on inside of [14] and [18], then place shelf onto shelf supports.
 - 3) Lock counter top to horizontals [14] and [18]. See Counter Top Lock detail.

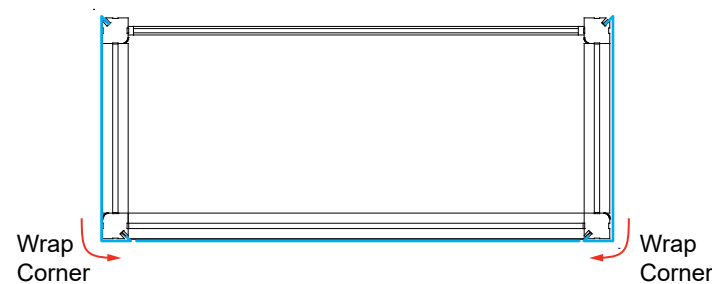


Back View

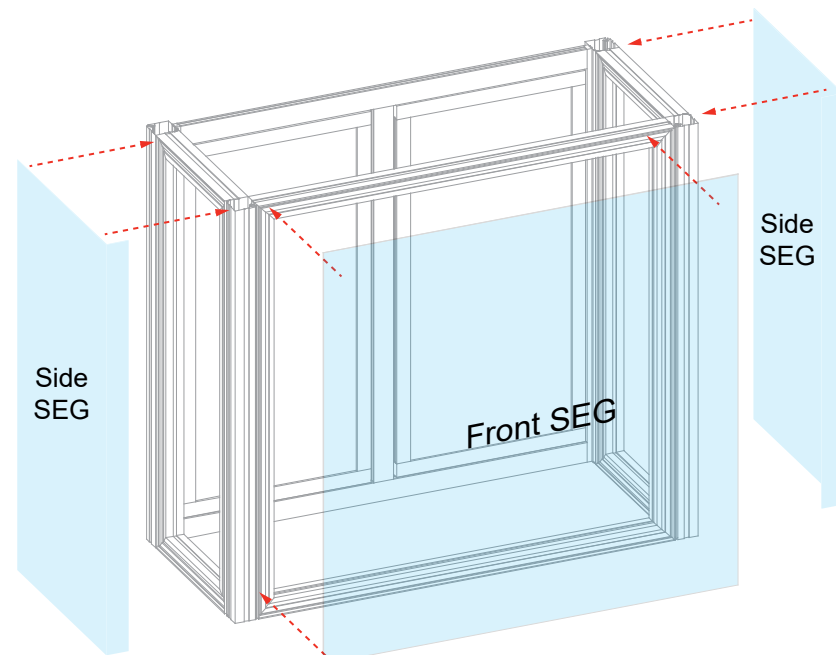


Front View

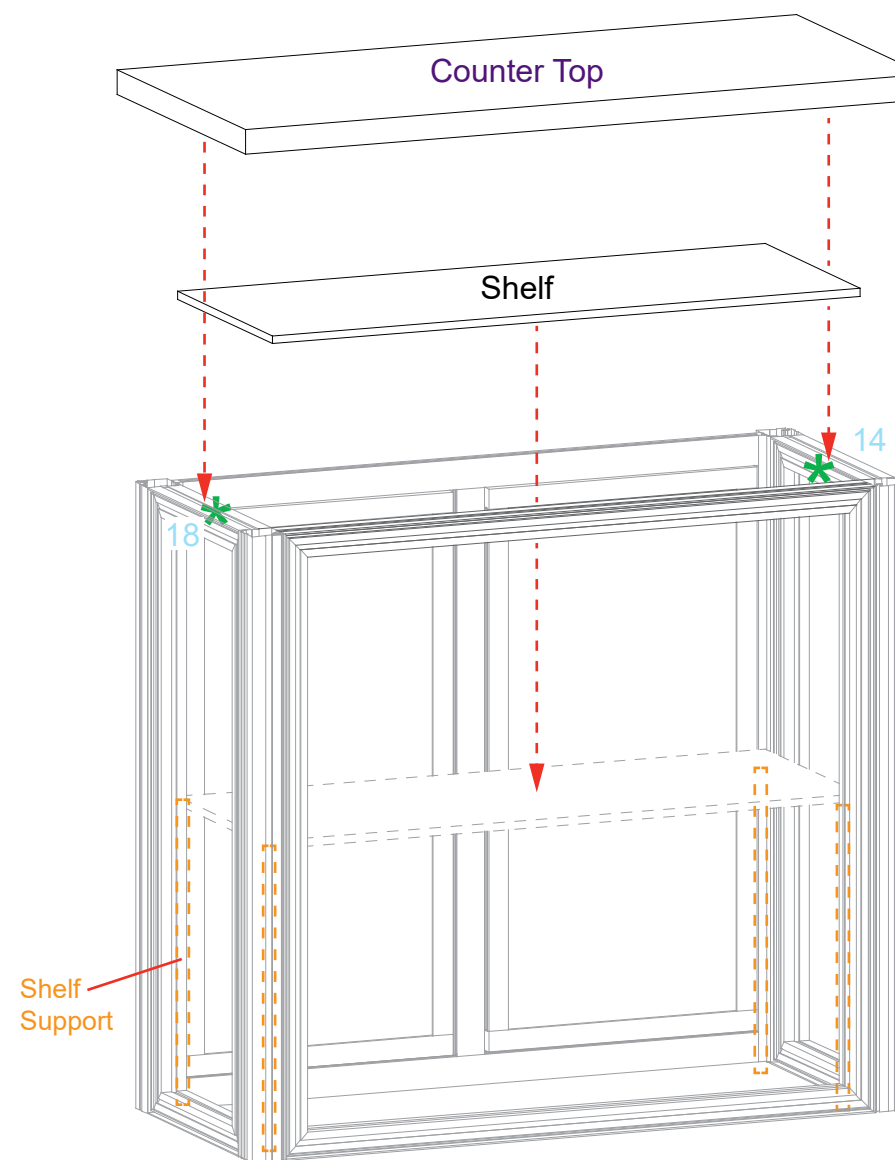
Completed Assembly



TOP VIEW



FRONT VIEW



FRONT VIEW

